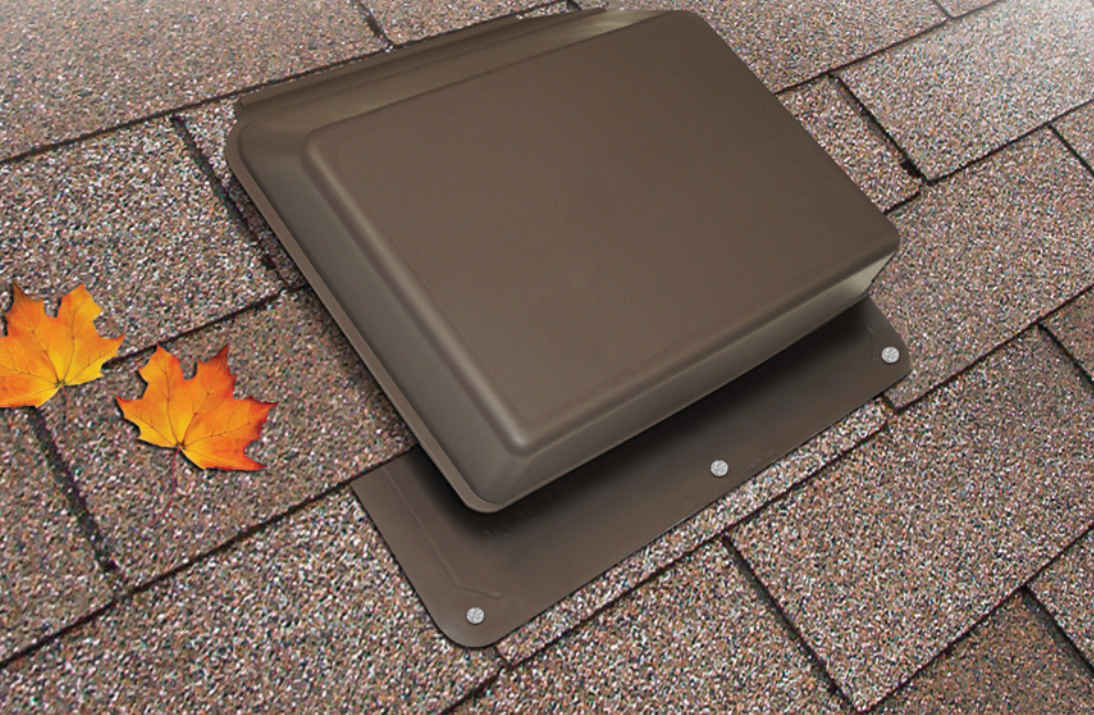


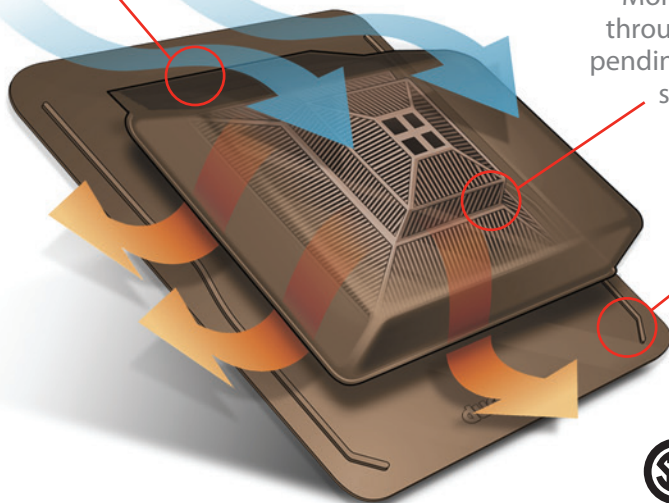
# duraflo® 6065 SlantBack Roof Vent



## The Steep Roof Vent

- Patent pending stair step screen provides more airflow in a smaller vent
- 61 sq in. of net free area
- Ideal for steep pitched roofs up to 12/12
- Prevents birds from nesting
- Won't crush, dent or peel
- Cold impact resistant down to -40°
- UV resistant polypropylene
- CSA and TDI approved

Weather Protection for  
steeper pitched roofs



More airflow  
through patent  
pending stair step  
screen

Cold impact  
resistant



**TDI**  
Texas Department of Insurance

**duraflo**.com  
WE KNOW VENTILATION

[www.duraflo.com](http://www.duraflo.com)

CAN: 1-800-461-1771 USA: 1-888-461-5307

**canplas**

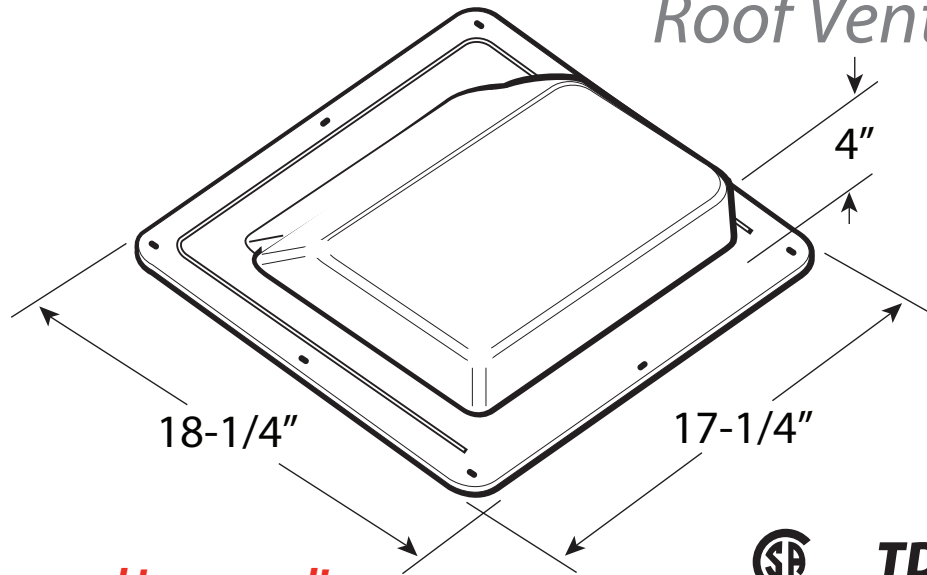
an *O*Aliaxis company

®

# duraflo® 6065

# SlantBack

## Roof Vent



### New and Improved!

We've taken the 65 Slant Back roof vent that is know and well used in the industry, and made it better.

First, we took out the old fashioned metal screen and added a new, patent pending molded-in grill. This new code approved grill with it's unique stair step design allowed us to increase the airflow without having to increase the size of the vent, thus the vent looks better without compromising performance.

Next, we eliminated potential leaks by sonically welding the slant of the cap directly to the roof vent skirt creating a solid, leak-proof bond.

Finally, we made the vent using only the finest, UV and impact resistant resin.

Particularly useful on steeper pitched roofs; the newly redesigned 6065 Slant Back carries on the tradition of quality and innovation you would expect from Duraflo.



**TDI**  
Texas Department of Insurance

| Net Free Area | Description | PART # | Size                   | CTN. QTY. | WT.CTN. (LBS.) |
|---------------|-------------|--------|------------------------|-----------|----------------|
| 61 Sq. In.    | Black       | 6065BL | 17-1/4" x 18-1/4" x 4" | 12        | 24             |
| 61 Sq. In.    | Brown       | 6065BR | 17-1/4" x 18-1/4" x 4" | 12        | 24             |
| 61 Sq. In.    | Gray        | 6065G  | 17-1/4" x 18-1/4" x 4" | 12        | 24             |
| 61 Sq. In.    | Weatherwood | 6065WW | 17-1/4" x 18-1/4" x 4" | 12        | 24             |

#### CANADA

**Canplas Industries Ltd.**  
P.O. Box 1800, 500 Veterans Dr.  
Barrie, Ontario  
Canada L4M 4V3  
Tel: (705) 726-3361  
Fax: (705) 726-8991  
**Toll Free: 1-800-461-5300**

**Canplas Industries Ltd.**  
11408 - 163rd Street  
Edmonton, Alberta,  
Canada T5M 3T3  
Tel: (780) 451-3206  
Fax: (780) 452-0536  
Email: prairie.sales@canplas.com

**Canplas Industries Ltd.**  
9489 - 200 Street, Unit 201  
Langley, B.C.  
Canada V1M 3A7  
Tel: (604) 455-0432  
Fax: (604) 455-0452  
Email: bc.sales@canplas.com

#### USA

**Canplas LLC**  
11402 East 53rd Ave., Suite 200  
Denver, Colorado  
U.S.A. 80239  
Tel: (303) 373-1918  
Fax: (303) 373-1923  
**Toll Free: 1-888-461-5307**

E-mail: [duraflo@canplas.com](mailto:duraflo@canplas.com)  
[www.duraflo.com](http://www.duraflo.com)

**canplas®**

an *OAliaxis* company