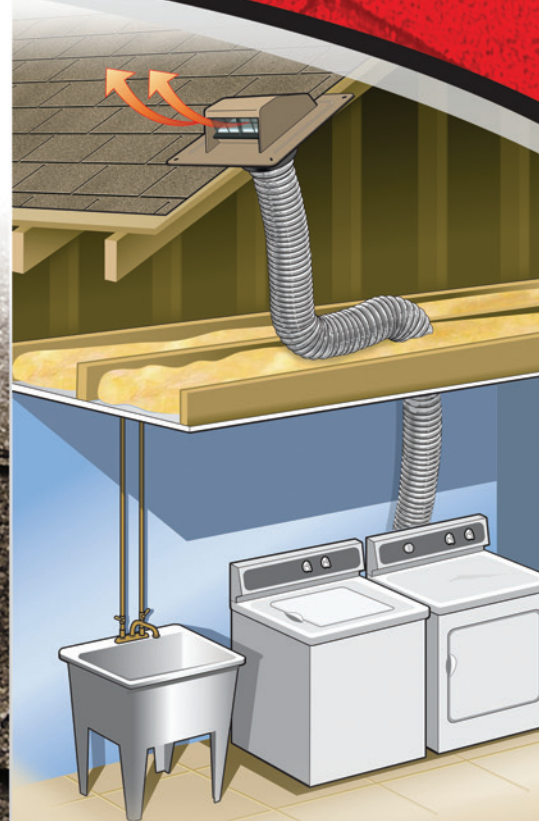


Roof Dryer VENT

by duraflo®



Ideal for condominiums, townhouses, apartment buildings and homes with an upstairs laundry room.

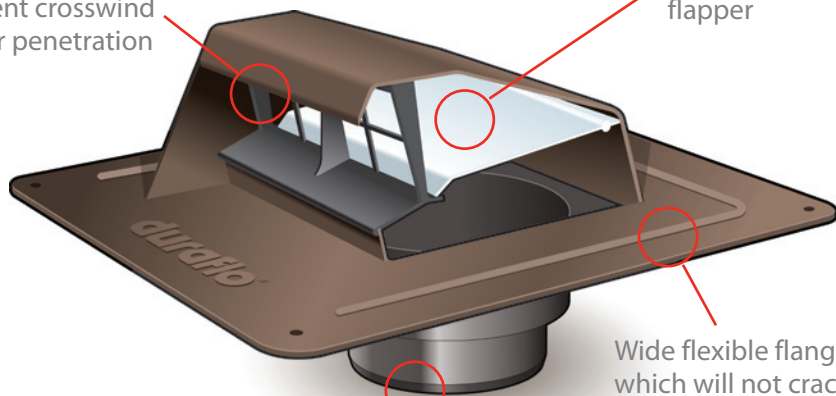
- **Excellent UV Performance**
- Leakproof, seamless outer shell
- Attractive low profile styling
- Unique chatterless flapper
- Flexible flange which will not crack on installation, even in extreme cold
- Available in Black and Brown

duraflo.com
WE KNOW VENTILATION



Extended sidewalls prevent crosswind water penetration

Unique chatterless flapper



Wide flexible flange which will not crack on installation

With & without collar options available

www.duraflo.com

CAN: 1-800-461-1771 USA: 1-888-461-5307

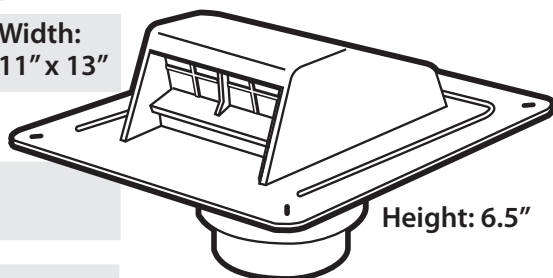
canplas

an O'Aliaxis company

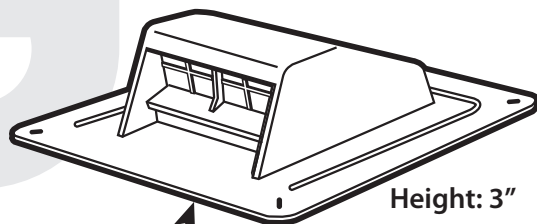


Roof Dryer **VENT** by duraflo®

Width:
11" x 13"



Height: 6.5"



Height: 3"

Throat Opening:
5-3/4" x 5-3/8"



Height:
3.5"

ROOF DRYER VENT - With Flapper & Attached Collar

DESCRIPTION	PART #	CTN. QTY.	WT.CTN. (LBS.)
Black	6013BL	6	7
Brown	6013BR	6	7
Grey	6013G	6	7
Green	6013GN	6	7
White	6013W	6	7
Weatherwood	6013WW	6	7

ROOF DRYER VENT - With Flapper Only

DESCRIPTION	PART #	CTN. QTY.	WT.CTN. (LBS.)
Black	6012BL	4	4
Brown	6012BR	4	4
Grey	6012G	4	4
Green	6012GN	4	4
White	6012W	4	4
Weatherwood	6012WW	4	4

ADAPTER COLLAR - For Bathroom & Dryer Exhaust Vents

DESCRIPTION	PART #	CTN. QTY.	WT.CTN. (LBS.)
Black	6010-1BC	8	2

Attaches any 4" or 5" duct or pipe to Duraflo Bathroom Exhaust Vent or Roof Dryer Vent

Duraflo Continues to Design Better Exhaust Vents

We selected a group of roofers, builders and architects to ask the question - "What do you need in ventilation products?". The answer was simple and clear - "Make an attractive, quality exhaust vent that won't chatter in the wind and, of course, make it weatherproof".

The new Duraflo Dryer vent is ideal for condominiums, townhouses, apartment

buildings and homes with an upstairs laundry room. Designed with low profile styling and quiet, consistent performance. Our unique flapper prevents chattering while our deep grill design prevents even the worst rain gust from entering. Duraflo, developing products that meet your needs.

CANADA

Canplas Industries Ltd.
P.O. Box 1800, 500 Veterans Dr.
Barrie, Ontario
Canada L4M 4V3
Tel: (705) 726-3361
Fax: (705) 726-8991
Toll Free: 1-800-461-5300

Canplas Industries Ltd.
11408 - 163rd Street
Edmonton, Alberta,
Canada T5M 3T3
Tel: (780) 451-3206
Fax: (780) 452-0536
Email: prairie.sales@canplas.com

Canplas Industries Ltd.
9489 - 200 Street, Unit 201
Langley, B.C.
Canada V1M 3A7
Tel: (604) 455-0432
Fax: (604) 455-0452
Email: bc.sales@canplas.com

USA

Canplas LLC
11402 East 53rd Ave., Suite 200
Denver, Colorado
U.S.A. 80239
Tel: (303) 373-1918
Fax: (303) 373-1923
Toll Free: 1-888-461-5307

E-mail: duraflo@canplas.com
www.duraflo.com

canplas®

an *OAliaxis* company